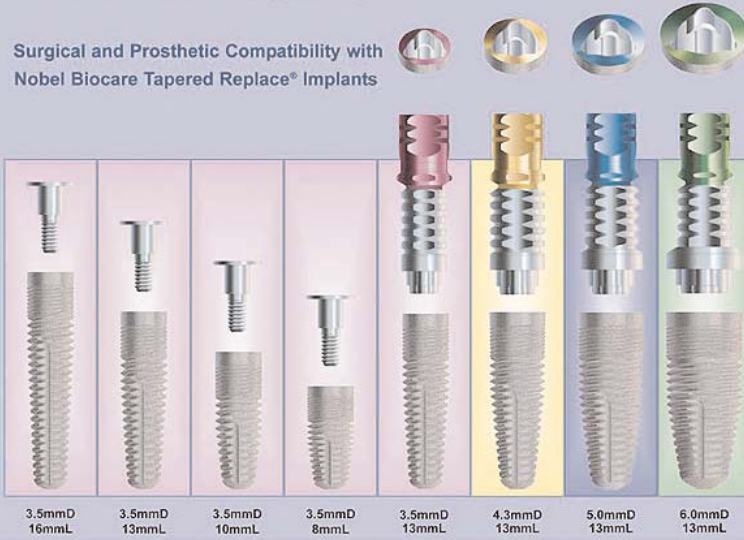


# Implant Direct's Tri-Lobe Implants and Multi-unit Abutments

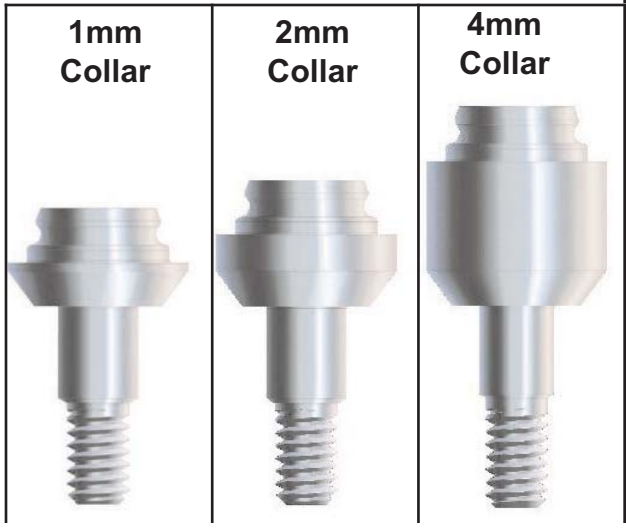
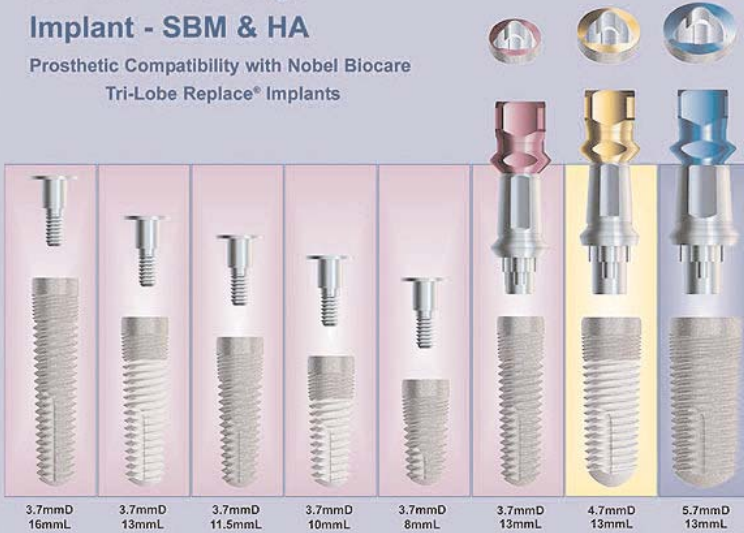
## RePlant® Two-Stage Implant

Surgical and Prosthetic Compatibility with Nobel Biocare Tapered Replace® Implants



## RePlus® Two-Stage Implant - SBM & HA

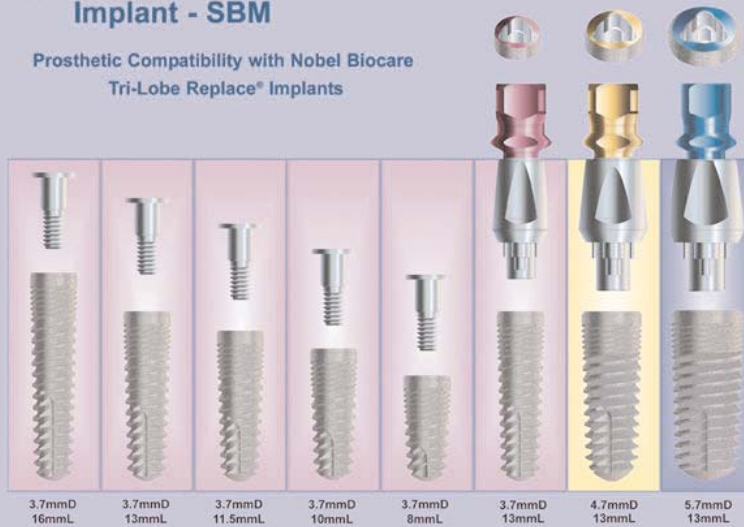
Prosthetic Compatibility with Nobel Biocare Tri-Lobe Replace® Implants



Straight Screw-Receiving Abutments

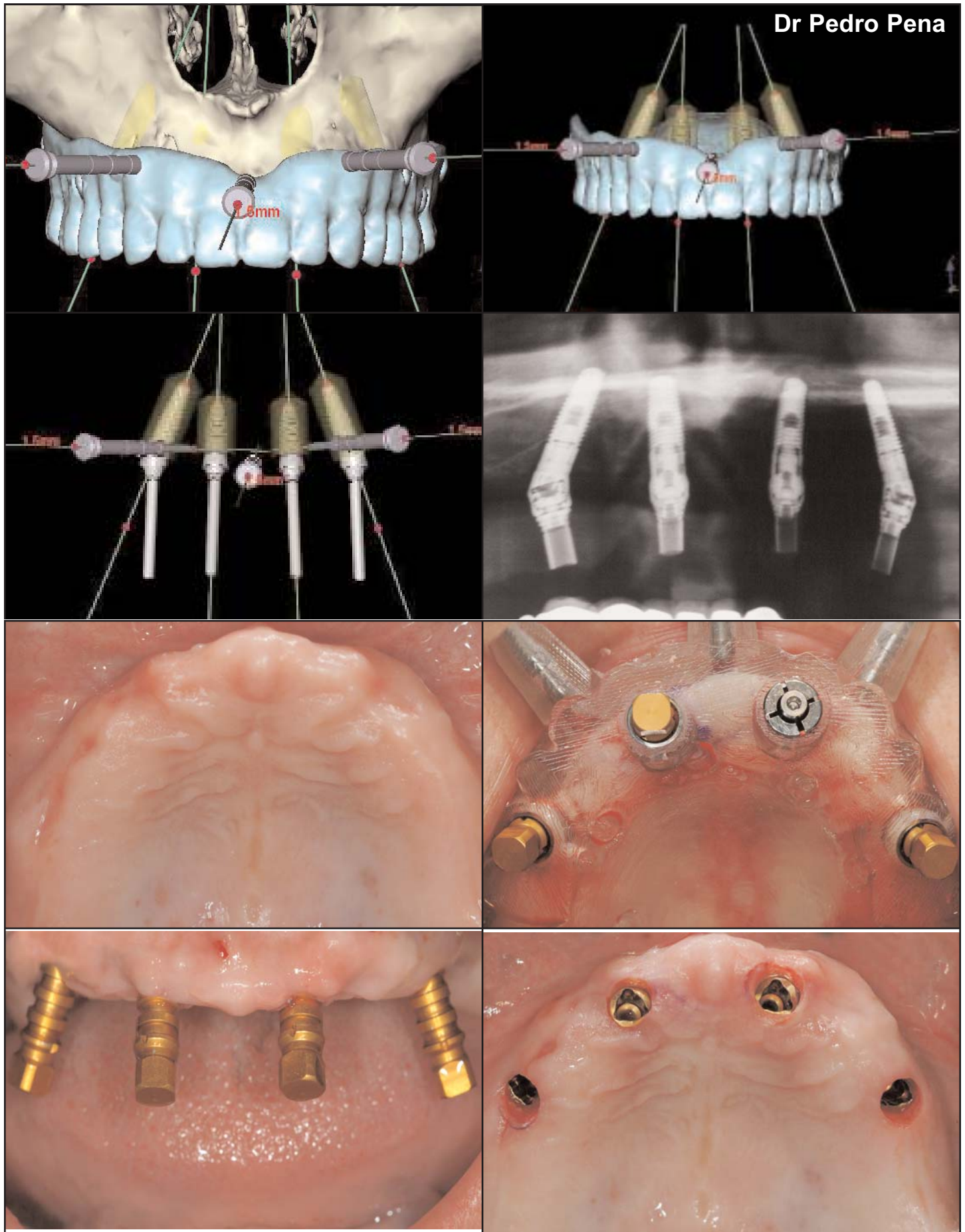
## ReActive™ Two-Stage Implant - SBM

Prosthetic Compatibility with Nobel Biocare Tri-Lobe Replace® Implants

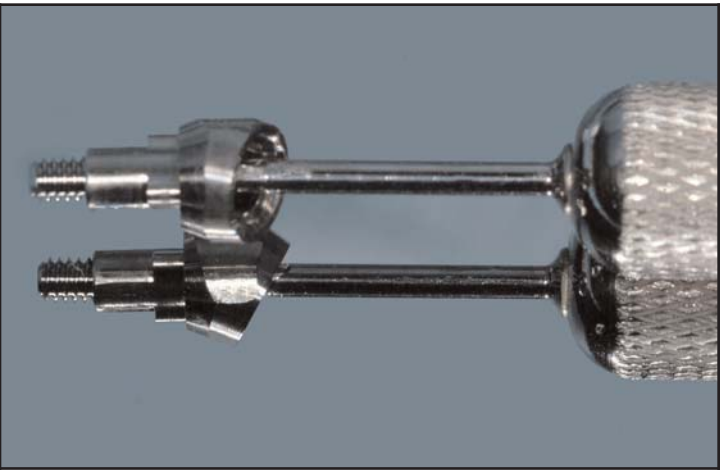
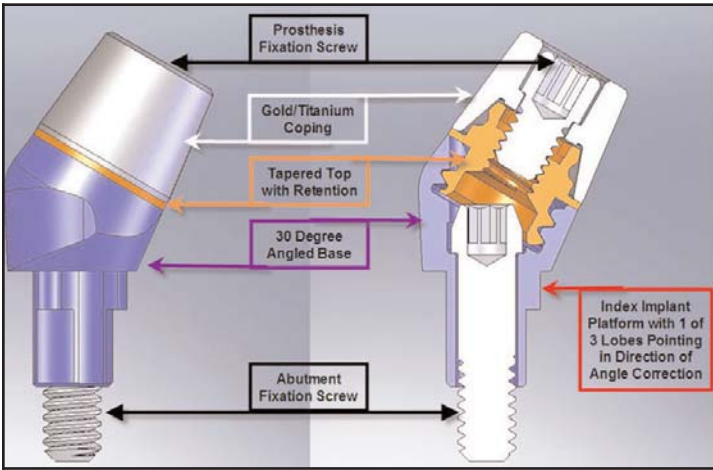


15° & 30° Screw-Receiving Abutments

# Teeth-in-1Day and All-on-4 Using Implant Direct's RePlant Implants & Abutments



# Teeth-in-1Day and All-on-4 Using Implant Direct's RePlant Implants & Abutments



# All-on-4 Using RePlant implants and Angled Screw-Receiving Abutments

