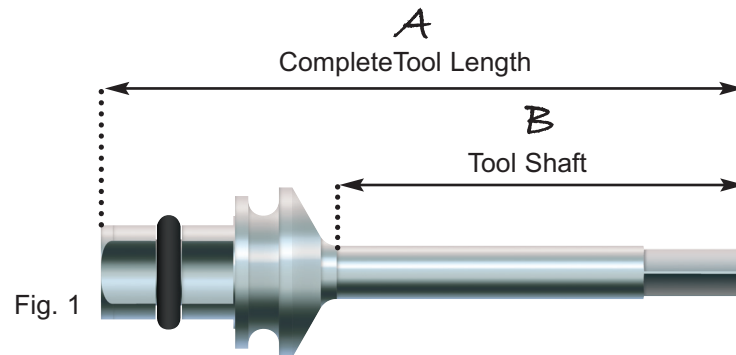


Hex Tool	Description	Use With	Length (mmL) (Fig. 1)	
			A	B
THT1.25	1.25mmD Tapered Hex Tool Long	Fixation Screws, Cover Screws, Healing Collars, Overdenture Abutments	27.7	13.7
THT1.25S	1.25mmD Tapered Hex Tool Short		23.2	9.2
HT2.0	2.0mmD Hex Tool Long	ScrewDirect Implant 3.0 & 3.7mmD, ScrewRedirect (all), ScrewRedirect Guide Pins	27	17.1
HT2.0S	2.0mmD Hex Tool Short		15.5	5.7
HT2.5	2.5mmD Hex Tool Long	ScrewPlant 3.7 & 4.7mmD, ScrewPlus 3.7mmD, ScrewDirect 4.7 & 5.7mmD, ScrewIndirect and Legacy 3.7 & 4.7mmD	27	17.1
HT2.5S	2.5mmD Hex Tool Short		15.5	5.7
HT3.0	3.0mmD Hex Tool Long	ScrewPlant 5.7mmD, ScrewPlus 4.7 & 5.7mmD and Legacy 5.7mmD Implant	27	17.1
HT3.0S	3.0mmD Hex Tool Short		15.5	5.7
HT1.25	1.25mmD Straight Hex Tool Long	Can be used with a ratchet for fixation screws, cover screws, healing collars, overdenture abutments.	21.8	13.7
HT1.25S	1.25mmD Straight Hex Tool Short		17.3	9.2
HD1.25	1.25mmD Hex Drill	To be used with handpiece. Usage is same as corresponding hex tool.	28	11
HD2.5	2.5mmD Hex Drill		25	9



27030 Malibu Hills Road
 Calabasas Hills, CA 91301
 Phone: 818.444.3333 Fax: 818.444.3400

t e c h @ i m p l a n t d i r e c t . c o m