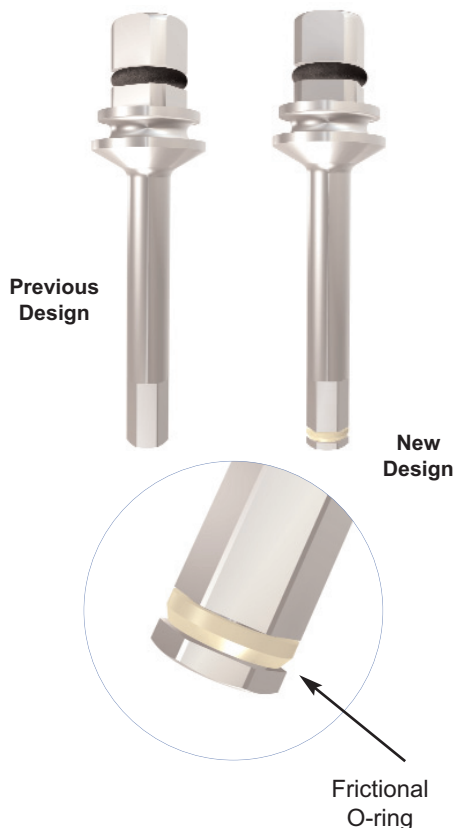


**Subject:**  
**Product Release: Update to 2.5mmD Hex Tools**

**Date: 9-19-08**

**To: Implant Direct Customers**



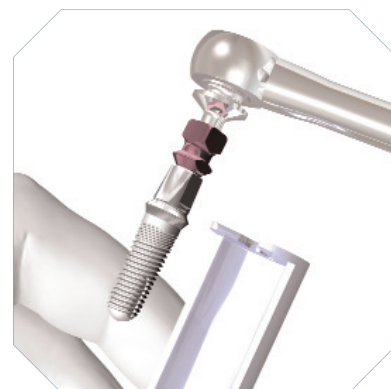
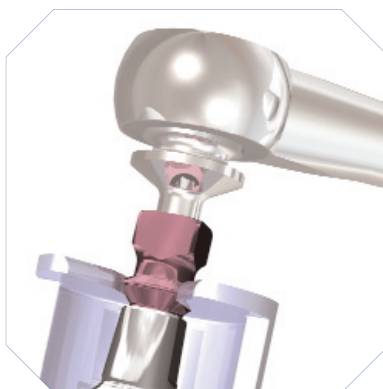
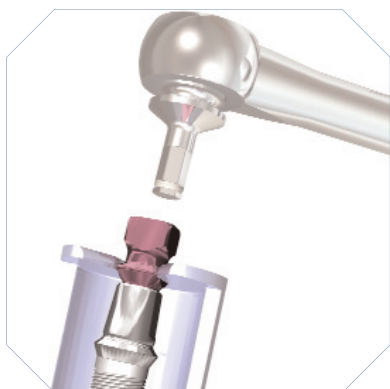
**The updated version of the 2.5mmD Hex Tool is now available!!**

Implant Direct introduces the new and improved version of our 2.5mmD Hex Tool, long and short [HT2.5 and HT2.5S]. The Hex Tool is designed with a sterilizable surgical plastic split O-ring at its apical end. During insertion of the Hex Tool into the mating hex connection (either fixture mount or implant), the O-ring will compress and create a frictional contact with the internal walls. This frictional connection between the two mating surfaces allows the clinician to carry the corresponding implant assembly to the surgical site while connected to the Ratchet [R].

Additional situations where this tool may be used:

- 1) When the Mesial/Distal spacing between adjacent teeth does not allow for the use of the Fixture Mount Drill [FMD] over the fixture mount, the 2.5mmD Hex Tool will provide the additional extension to the Ratchet [R] to enable the clinician to get the clearance required.
- 2) Carrying of implants which have a 2.5mmD internal connection such as the ScrewIndirect Implant and some diameters of ScrewDirect Implants. Refer to tooling chart to verify options.

**The USA list price for the 2.5mmD Hex Tools are \$40.00.**



27030 Malibu Hills Road, Calabasas Hills, CA 91301

Phone: 818.444.3333 opt2: 888-NIZNICK (649-6425) Fax: 818.444.3400

**w w w . i m p l a n t d i r e c t . c o m**